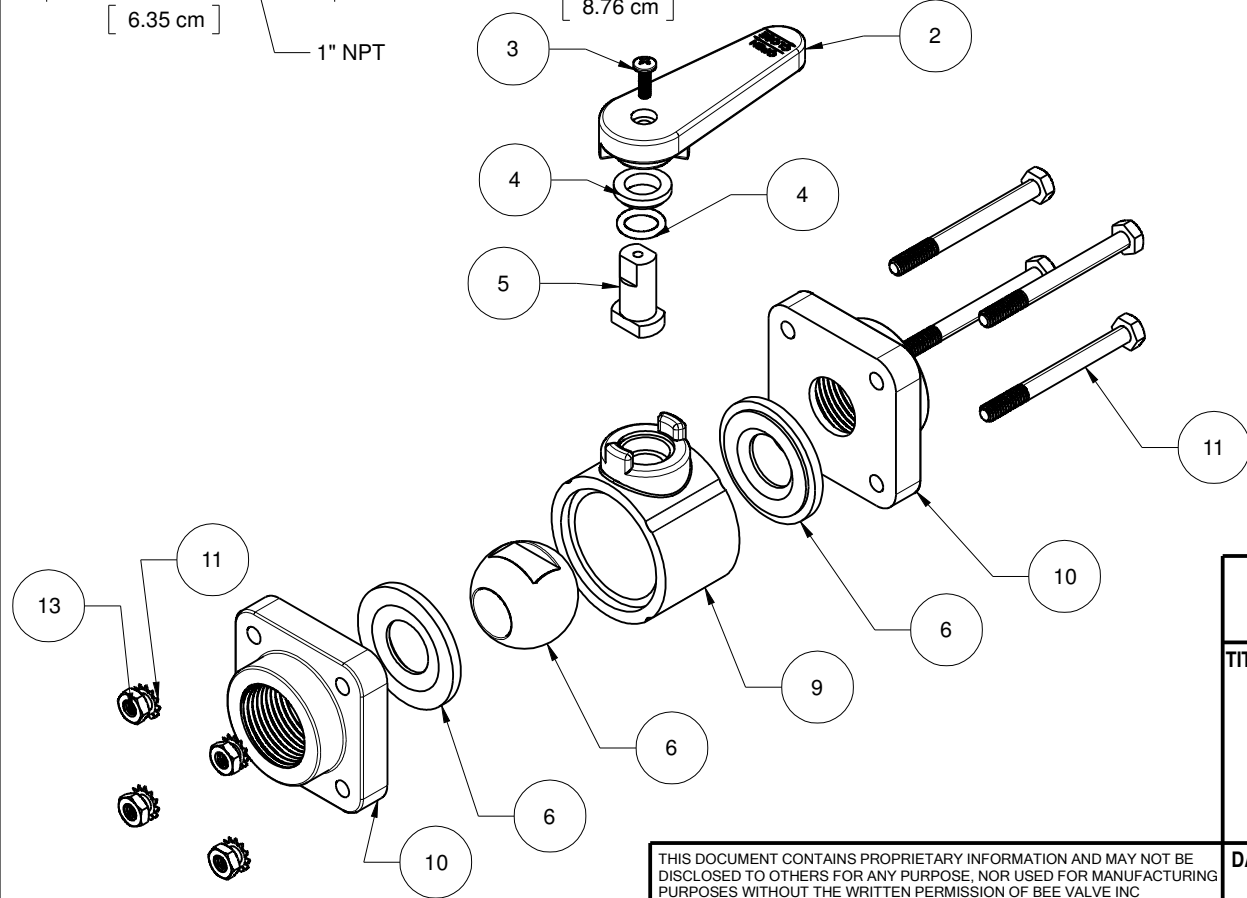


ITEM NO	Quantity	DESCRIPTION	PART NO
1	1	HANDLE, RED POLYPRO	4L100-00
2	1	** HANDLE, YELLOW POLYPRO	4L100-10
3	1	SS BOLT, HANDLE	4H030-00
4	1	VITON O-RING, SHAFT	4H039-00
5	1	SHAFT, POLYPRO	4H302-00
6	2	SEAT, POLYTEF	4S102-20
7	1	BEARING, POLYTEF	4B302-20
8	1	BALL, POLYTEF	4B102-00
9	1	BODY, POLYPRO	4B202-00
10	2	END CAP, POLYPRO	4E102-00
11	4	BOLT, CAD	4H000-00
12	4	WASHER, CAD	4H014-00
13	4	NUT, CAD	4H026-00

** 4111C-20 = VALVE W/ YELLOW HANDLE



THIS DOCUMENT CONTAINS PROPRIETARY INFORMATION AND MAY NOT BE DISCLOSED TO OTHERS FOR ANY PURPOSE, NOR USED FOR MANUFACTURING PURPOSES WITHOUT THE WRITTEN PERMISSION OF BEE VALVE INC

BEE VALVE, INC		
TITLE/DESC BOLTED BALL VALVE		
DATE 04/17/17	PART NO 4011C-20	MATERIAL SEE PARTS TABLE
		REV